

# DS770FC Series

## Dark Sky Acorn

### Features

Lighting for exterior retail, commercial and hospitality environments. The DS770FC Series consists of a cast aluminum fitter and cage assembly and a spun aluminum top. Includes Full Cutoff optics for Dark Sky friendly applications. An optional Smartsite wireless lighting controller is available.

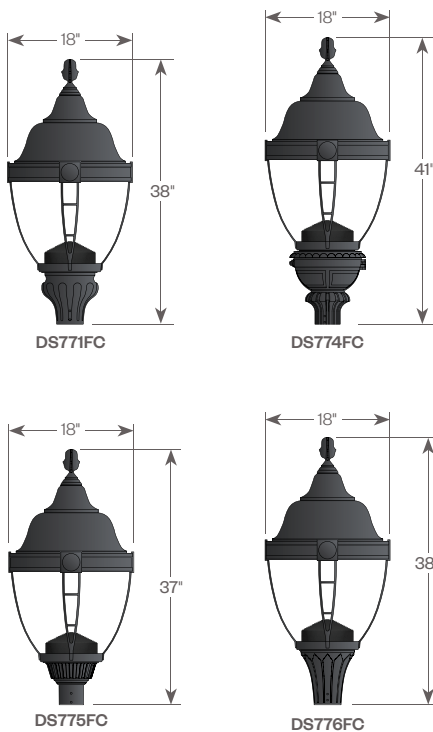
### Product Overview

Wattage:	2M: 44W, 49W 3M: 60W, 67W 4M: 79W, 88W
Lumen Output :	11,124 lm (4M, 88W, T5, 40K)
Color Temp:	3000K, 4000K
Dimming:	0-10V dimming



### PROJECT:

### TYPE:



### Installation:

The luminaire will mount to a 3" OD post or tenon with 5/16" black oxide coated stainless steel set screws to ensure a solid connection.

### Optical Module:

The luminaire utilizes 2, 3 or 4 individually sealed optical modules consisting of a high performance LED board with an acrylic (TIR) lens to deliver maximum spacing and uniformity. A choice of Type II, III, IV and V IES distributions are available with the scalability to meet application criteria. Custom configurations available.

### Electrical:

- Over voltage and short circuit protected driver
- Series connected 10kV/20kA surge protector
- Automatic AC incoming voltage sensing (120V-277V)
- 0-10v dimming

### Light Distribution:

- Type II (T2)
- Type III (T3)
- Type IV (T4)
- Type V (T5)

### CCT:

- 3,000K (30)
- 4,000K (40)

### Drive Current:

- 530mA
- 600mA

### L70:

72,000+ hrs.

### Finish:

Durable thermoset polyester powder-coat finish in the following:

- Satin Black (BLK)
- Classic Bronze (CLB)
- Gloss Textured Bronze (GBZ)
- Green (GRN)
- Gloss Textured Black (GTB)
- Textured Black (TBK)
- Gloss Textured Green (TGR)

### Accessories:

- Dusk-to-dawn button type photocell (PCL)
- Controls Capable Harness (CCH)
- Back Light Shield (BLS)
- Wireless control option (SSINT-1)

ETL listed, suitable for wet locations.



5 year limited warranty  
AMERLUX LED

POWDER COATED TOUGH



Electromagnetic sensitive device. observe precautions for handling.

# DS770FC Series

Dark Sky Acorn



## PROJECT:

## TYPE:

### Ordering Information



- |  |   |
|--|---|
| <p><b>1</b> <u>Model</u><br/><b>DS771FC</b><br/><b>DS774FC</b><br/><b>DS775FC</b><br/><b>DS776FC</b></p> <p><b>2</b> <u>LED Modules</u><br/><b>2M</b> - 2 Modules<br/><b>3M</b> - 3 Modules<br/><b>4M</b> - 4 Modules</p> <p><b>3</b> <u>Light Distribution</u><br/><b>T2</b> - Type 2<br/><b>T3</b> - Type 3<br/><b>T4</b> - Type 4<br/><b>T5</b> - Type 5</p> <p><b>4</b> <u>CCT</u><br/><b>30*</b> - 3000K<br/><b>40</b> - 4000K</p> <p><b>5</b> <u>Drive Current</u><br/><b>530M</b> - 530 mA<br/><b>600M</b> - 600 mA</p> | <p><b>6</b> <u>Finish</u><br/><b>BLK</b> - Satin Black<br/><b>CLB</b> - Classic Bronze<br/><b>GBZ</b> - Gloss Textured Bronze<br/><b>GRN</b> - Green<br/><b>GTB</b> - Gloss Textured Black<br/><b>TBK</b> - Textured Black<br/><b>TGR</b> - Gloss Textured Green<br/><b>CSTM</b> - Custom</p> <p><b>7</b> <u>Accessories</u><br/><b>PCL</b> - Dusk-to-dawn button type Photocell (not available for use with CCH)<br/><b>CCH</b> - Controls Capable Harness (not available for use with PCL)<br/><b>BLS</b> - Back Light Shield<br/><b>SSINT-1</b> - Integrated Wireless Control Node (for operation on the SmartSite control platform)</p> |
|--|---|

\* To meet IDA Dark Sky Fixture Seal of Approval 3000K CCT must be chosen. Not approved with 4000K option.

# DS770FC Series

Dark Sky Acorn



**PROJECT:**

**TYPE:**

## Performance Chart

Modules	System Watts	Distribution	CCT	Luminaire Lumens		Bug Rating
				530mA	600mA	
2M	44W (530mA) 49W (600mA)	T2	3,000K	4,323	4,842	1-0-1
			4,000K	4,669	5,229	
		T3	3,000K	4,363	4,888	
			4,000K	4,713	5,279	
		T4	3,000K	4,221	4,728	
			4,000K	4,559	5,106	
T5	3,000K	4,409	4,938			
	4,000K	4,762	5,333			
3M	60W (530mA) 67W (600mA)	T2	3,000K	6,467	7,243	2-0-2
			4,000K	6,984	7,822	
		T3	3,000K	6,521	7,304	
			4,000K	7,043	7,888	
		T4	3,000K	6,315	7,073	
			4,000K	6,820	7,638	
T5	3,000K	6,595	7,386			
	4,000K	7,123	7,978			
4M	79W (530mA) 88W (600mA)	T2	3,000K	8,499	9,519	2-0-2
			4,000K	9,179	10,280	
		T3	3,000K	8,566	9,594	
			4,000K	9,251	10,361	
		T4	3,000K	8,298	9,294	
			4,000K	8,962	10,037	
T5	3,000K	9,090	10,181			
	4,000K	9,818	10,996			

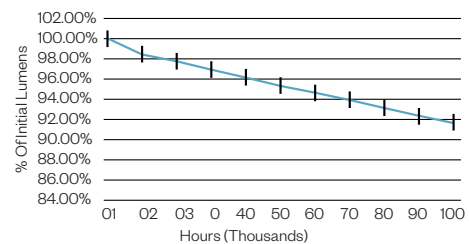
All IES files are supplied as 3000K. For 4000K values use a 1.08 multiplier.

## Lumen Maintenance

Ambient Temp	50,000 Hours*	70,000 Hours*	90,000 Hours*	100,000 Hours*	Theoretical L70 Hours
25°C	>95.4%	>93.9%	>92.4%	>91.6%	>200,000

\* Per IESNA TM-21 data

Lumen maintenance values apply to all output levels and distributions.



# DS770FC Series

Dark Sky Acorn

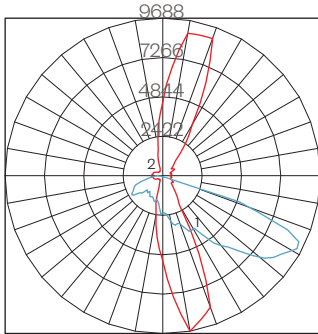


## PROJECT:

## TYPE:

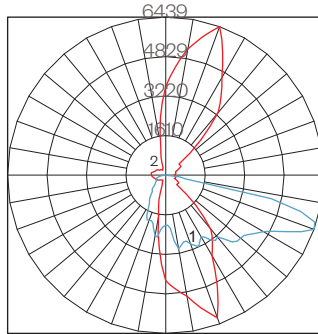
### Performance Chart

#### DS770FC-4M-T2-4K



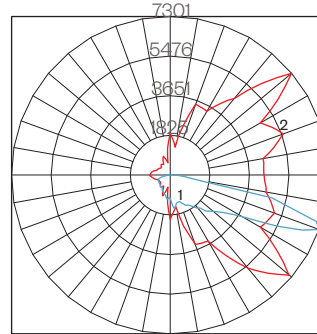
Maximum Candela = 9688  
 Located At Horizontal Angle = 280; Vertical Angle = 62.5  
 #1 - Vertical Plane Through Horizontal Angles (280-100)\*  
 #2 - Horizontal Cone Through Vertical Angle (62.5)\*  
 \* Through Max. Cd.

#### DS770FC-4M-T3-4K



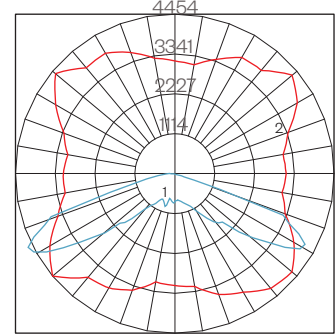
Maximum Candela = 6439  
 Located At Horizontal Angle = 70; Vertical Angle = 70  
 #1 - Vertical Plane Through Horizontal Angles (70-250)\*  
 #2 - Horizontal Cone Through Vertical Angle (70)\*  
 \* Through Max. Cd.

#### DS770FC-4M-T4-4K



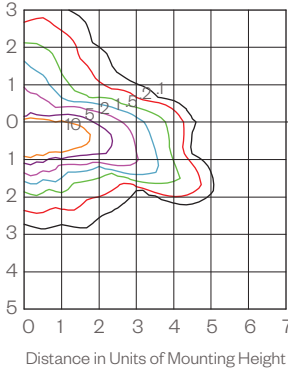
Maximum Candela = 7301  
 Located At Horizontal Angle = 40; Vertical Angle = 70  
 #1 - Vertical Plane Through Horizontal Angles (40-220)\*  
 #2 - Horizontal Cone Through Vertical Angle (70)\*  
 \* Through Max. Cd.

#### DS770FC-4M-T5-4K

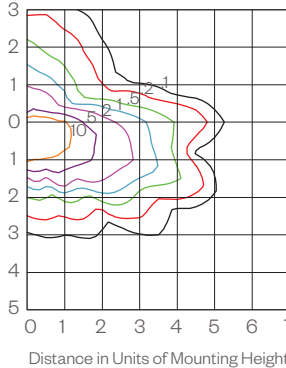


Maximum Candela = 4454  
 Located At Horizontal Angle = 220; Vertical Angle = 62.5  
 #1 - Vertical Plane Through Horizontal Angles (220-40)\*  
 #2 - Horizontal Cone Through Vertical Angle (62.5)\*  
 \* Through Max. Cd.

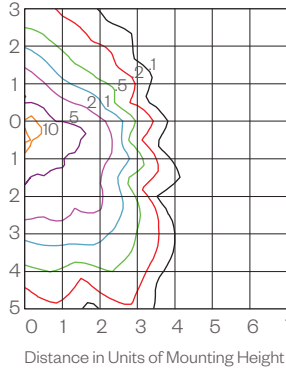
#### ISOFOOTCANDLE LINES OF HORIZONTAL ILLUMINANCE



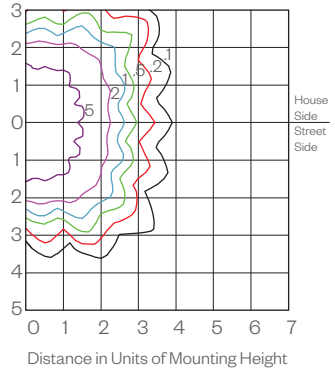
#### ISOFOOTCANDLE LINES OF HORIZONTAL ILLUMINANCE



#### ISOFOOTCANDLE LINES OF HORIZONTAL ILLUMINANCE



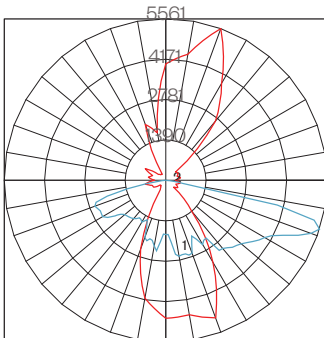
#### ISOFOOTCANDLE LINES OF HORIZONTAL ILLUMINANCE



### Customizable Performance

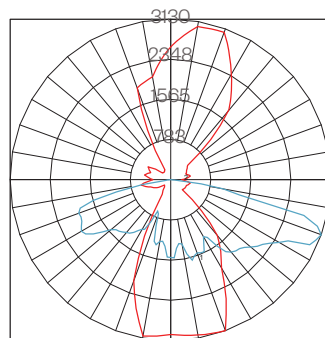
Photometry can be modified using different drive currents and a combination of lenses. Consult factory. See examples below.

#### DS770FC-4M-T3ST2H-4K-580M



Maximum Candela = 5561  
 Located At Horizontal Angle = 70; Vertical Angle = 72.5  
 #1 - Vertical Plane Through Horizontal Angles (70-250)\*  
 #2 - Horizontal Cone Through Vertical Angle (72.5)\*  
 \* Through Max. Cd.

#### DS770FC-4M-T3ST2H-4K-470M



Maximum Candela = 3130  
 Located At Horizontal Angle = 290; Vertical Angle = 70  
 #1 - Vertical Plane Through Horizontal Angles (290-110)\*  
 #2 - Horizontal Cone Through Vertical Angle (70)\*  
 \* Through Max. Cd.

### Backlight Shield

Shield can be easily installed in the field when required.



# Austin Series



## Features

Aluminum light poles with a decorative base, featuring a choice of extruded shafts. Accepts a wide variety of Amerlux post top luminaires.

1" diameter cast aluminum decorative base.

### Choice of extruded shafts:

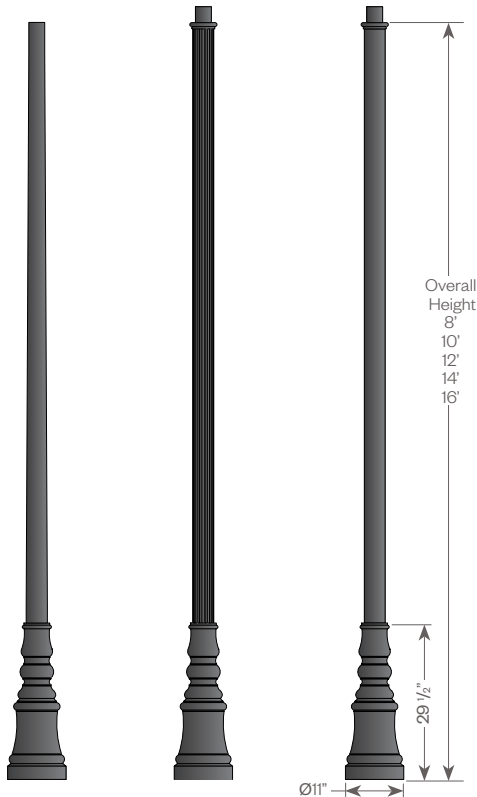
- 4" to 3" tapered, 0.125 wall
- 4" OD fluted (12 flutes), 0.125 wall
- 4" OD smooth round, 0.125 wall

Access door for anchor bolts and wiring is secured with stainless steel screws

Ground lug provided inside base

## PROJECT:

## TYPE:



AP2602.XX

AP2603.XX

AP2604.XX

See pgs 3-4 for more details.

## Materials:

Base - Cast aluminum (356-T6)

Shaft - Extruded Aluminum (6063-T6)

- Tapered Aluminum (6063-T6)

Tenon - 3"OD Cast aluminum (356-T6)

Anchor Bolts - Hot dipped galvanized steel, ordered separately

## Finish:

Premium quality thermoset polyester powdercoat for a durable finish.

## Accessories:

- Single or double sided field rotatable banner arms
- Flag pole holder
- GFCI - covered ground fault circuit protected duplex outlet
- Direct burial extension



## PROJECT:

## TYPE:

### Pole Ordering Information



- 1** Model  
**AP2602** - 4" to 3" O.D. pole, tapered 0.125 wall  
**AP2603** - 4" O.D. fluted pole, 0.125 wall  
**AP2604** - 4" O.D. smooth pole, 0.125 wall

Pole Height

- 2** **08** - 8'-0"  
**10** - 10'-0"  
**12** - 12'-0"  
**14** - 14'-0"  
**16** - 16'-0"

- 3** Finish  
**BLK** - satin black  
**CLB** - classic bronze  
**GBZ** - gloss textured bronze  
**GRN** - green  
**GTB** - gloss textured black  
**TBK** - textured black  
**TGR** - gloss textured green  
**CSTM** - custom, consult factory

- 4** Options/Accessories  
**GFCI-TOP** - ground fault circuit protected outlet, placed 6" from the top of pole  
**GFCI-BTM** - ground fault circuit protected outlet, placed 6" above the decorative base at the bottom of the pole  
**LT** - less tenon  
**DB** - direct burial extension

### Anchor Bolt Ordering Information (Ordered separately, can be pre-shipped upon request)



- 1** Model  
**AP2600-555-0018** - 3/4" x 17" anchor bolts

### Accessory Ordering Information (Ordered separately)



- 1** Model (all accessories below are for non-tapered shafts only)  
**BA18-FRC4** - 18" banner arm, 4" OD shaft  
**BA24-FRC4** - 24" banner arm, 4" OD shaft  
**2BA18-FRC4-180** - double sided 18" banner arms, 4" OD shaft  
**2BA24-FRC4-180** - double sided 24" banner arms, 4" OD shaft  
**FPH-4** - flag pole holder for 4" non-tapered poles


# Austin Series

PROJECT:

TYPE:

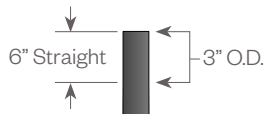
  
4" to 3" O.D.  
Tapered 0.125 wall

  
4" O.D. Fluted  
0.125 wall

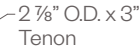
  
4" O.D. Smooth  
0.125 wall

Shaft  
Detail

6" Straight  
3" O.D.



2 7/8" O.D. x 3"  
Tenon



Overall  
Height  
8'  
10'  
12'  
14'  
16'



29 1/2"



Ø11"



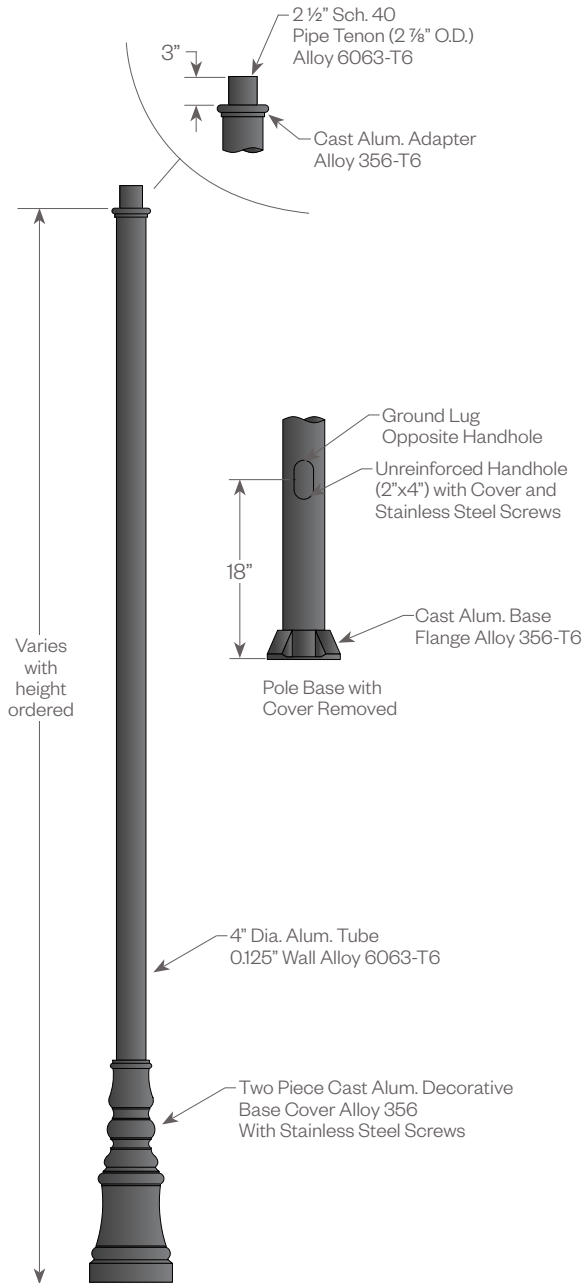
AP2602.XX

AP2603.XX

AP2604.XX

**PROJECT:**

**TYPE:**



**Finish**

The post will be finished with an electrostatically applied thermoset polyester powder coat. Prior to finishing, the parts are thoroughly cleaned. Our powder coat finish is durable, long lasting, attractive and scratch resistant as well as environmentally friendly. We offer 7 stock finishes or hundreds of special order colors including custom matching for existing projects (additional charges apply).

- BLK** - Satin Black
- CLB** - Classic Bronze
- GBZ** - Gloss Textured Bronze
- GRN** - Green

- GTB** - Gloss Textured Black
- TBK** - Textured Black
- TGR** - Gloss Textured Green

**Accessories**

**Banner Arms**

Single or double sided field rotatable banner arms.

**BA18** (18") or **BA24** (24") banner arms

**FRC4** (4"OD shaft)

Add a (2) for a double arm. Example: **2BA18-FRC4-180**

**See ordering guide for configurations**



**FPH-4**

Extruded aluminum holder for 1" OD flag poles.

Available for 4" OD non-tapered pole.

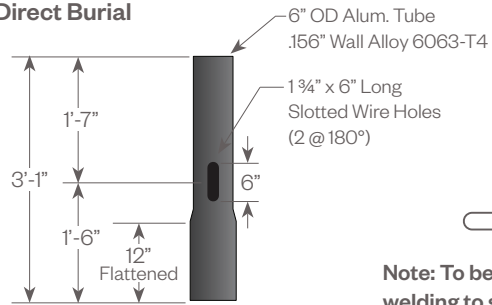


**GFCI - Top/Bottom**

Covered ground fault circuit protected duplex outlet.

Can be placed near top of pole or above the decorative base at the bottom of the pole. Wet while in use rated.

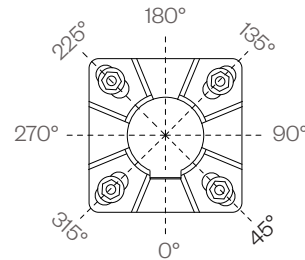
**Direct Burial**



**Note: To be flattened after welding to shaft assembly.**

**GFCI Orientation Guide**

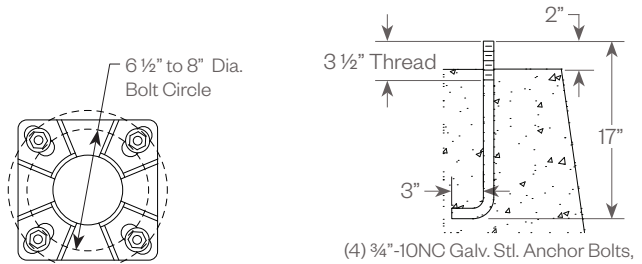
As viewed from above



**Note: GFCI placed at 0° unless otherwise specified.**

**Note: Orientation of additional accessories must be specified when ordering.**

**Anchor Details**



**Anchor bolts and templates can be requested prior to product shipment.**

- (4) 3/4"-10NC Galv. Stl. Anchor Bolts, AASHTO M314-90 Grade 55, Galv. Per ASTM A153.
- (4) 3/4"-10NC Galv. Stl. Hex. Nuts
- (4) 3/4" Galv. Stl. Lockwashers
- (4) 3/4" Galv. Stl. Flatwashers