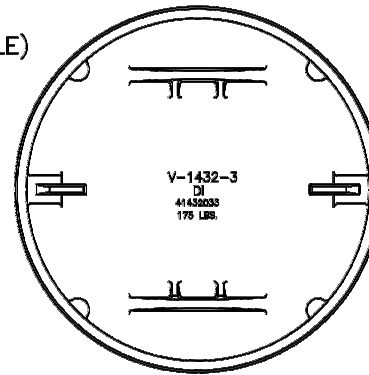
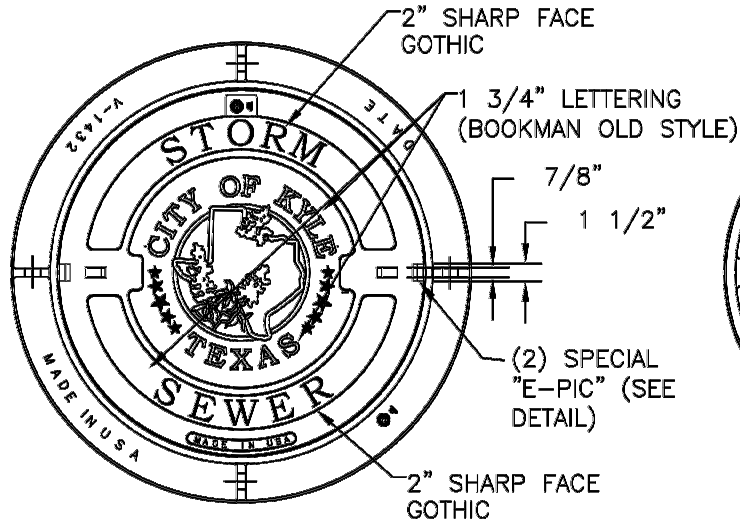
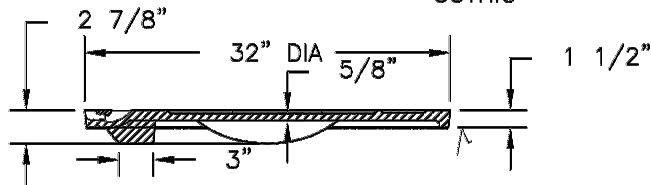


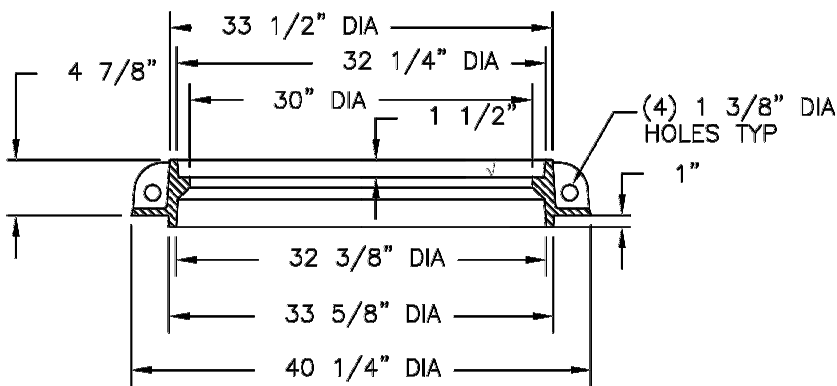
V1432DI V1432-3CV Assembly



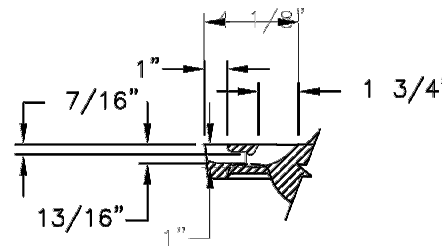
COVER BOTTOM



CROSS SECTION



FRAME SECTION



PICK DETAIL

Product Number

41432002

Design Features

- Materials
- Frame
Gray Iron (CL35B)
- Cover
Ductile Iron (70-50-05)

- Design Load
Heavy Duty
- Open Area
n/a
- Coating
Undipped
- √ Designates Machined Surface

Certification

- ASTM A48
-
- Country of Origin: USA

Major Components

41432010
41432033

Drawing Revision

11/28/2007 Designer: GAD
12/30/2014 Revised By: DVD

Disclaimer

Weights (lbs./kg) dimensions (inches/mm) and drawings provided for your guidance. We reserve the right to modify specifications without prior notice.

CONFIDENTIAL: This drawing is the property of EJ GROUP, Inc., and embodies confidential information, registered marks, patents, trade secret information, and/or know how that is the property of EJ GROUP, Inc. Copyright © 2012 EJ GROUP, Inc. All rights reserved.

Contact

800 626 4653
ejco.com

PROJECT: CITY OF KYLE
DRAWN: 01/2024
DATE:

STORM DRAIN DETAIL

MANHOLE COVER ASSEMBLY



NOTE : NOT TO SCALE